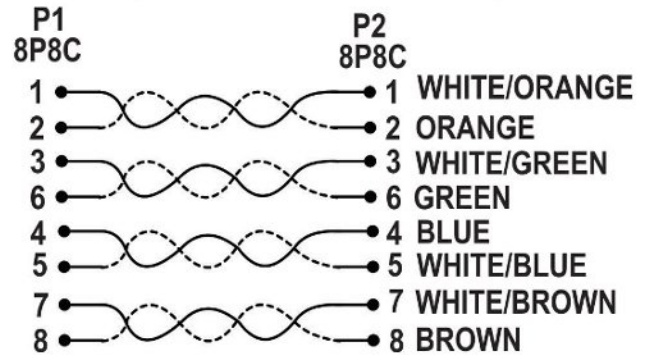


Marking: Video Products Inc CAT.6 UTP ISO/IEC 11801 & EN 50288 & TIA/EIA-568-B.2-1 ETL/3P VERIFIED -
24AWGX4P PATCH TYPE CM (UL) C(UL) CMH E164469-F3 www.vpi.us

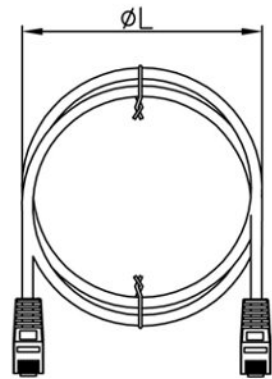
orange 1	green 2
white/orange	white/green
blue 3	brown 4
white/blue	white/brown

PINOUT: (TIA/EIA 568B Standard)



Conductor	Bare Copper 24AWG 7/0.196±0.015mm
Insulation	Thickness:MIN at any point:0.15mm MAX AVG:0.25mm Diameter: 1.04±0.06mm
Jacket	PVC Thickness:MIN at any point:0.48mm MAX AVG:0.58mm Diameter:5.9±0.15mm

WIRE	CAT. 6 UTP STR 24AWG*4P
PLUG	YU-19 8p8c 50U"
Length	XX
WIRE COLOR	STANDARD



Packaging: 1PCS put in a PE bag



1275 Danner Drive Aurora, Ohio 44202
Tel: 1-800-626-7801 Fax: 330-562-1999
www.vpi.us sales@vpi.us