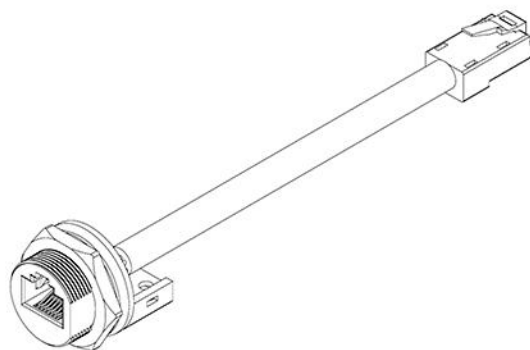


Panel Cut-Out

Panel Thickness: 0.06-0.08in

**Cable Length: 8 inches****MATERIALS:**

PLASTIC HOUSING: ENGINEERING THERMOPLASTIC
FLAMMABILITY RATING UL 94V-0.

CONTACTS: PHOSPHOR BRONZE

PLATING: GOLD PLATING OVER NICKEL IN CONTACT.

Nut: ENGINEERING THERMOPLASTIC FLAMMABILITY RATING UL 94V-0.

Gasket: EPDM

VPI VIDEO
PRODUCTS
INCORPORATED

1275 Danner Drive Aurora, Ohio 44202

Tel: 1-800-626-7801 Fax: 330-562-1999

www.vpi.us sales@vpi.us