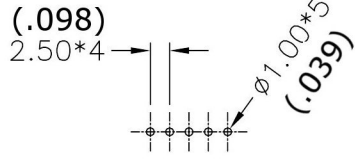
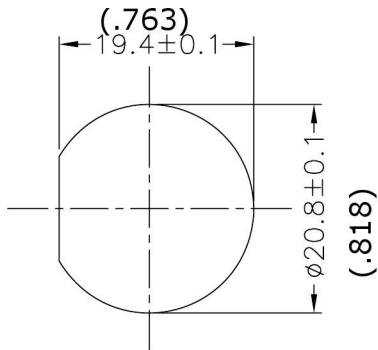


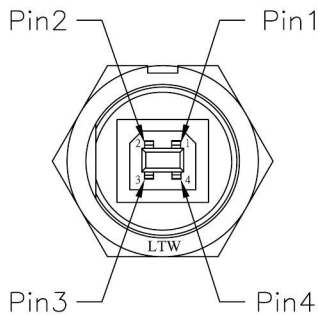
VPI P/N USB2-BF-WTP-CS-FL



PCB Layout



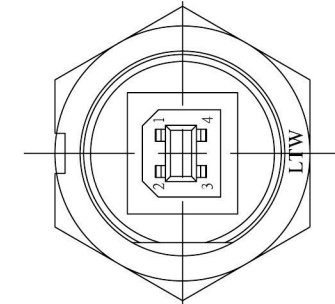
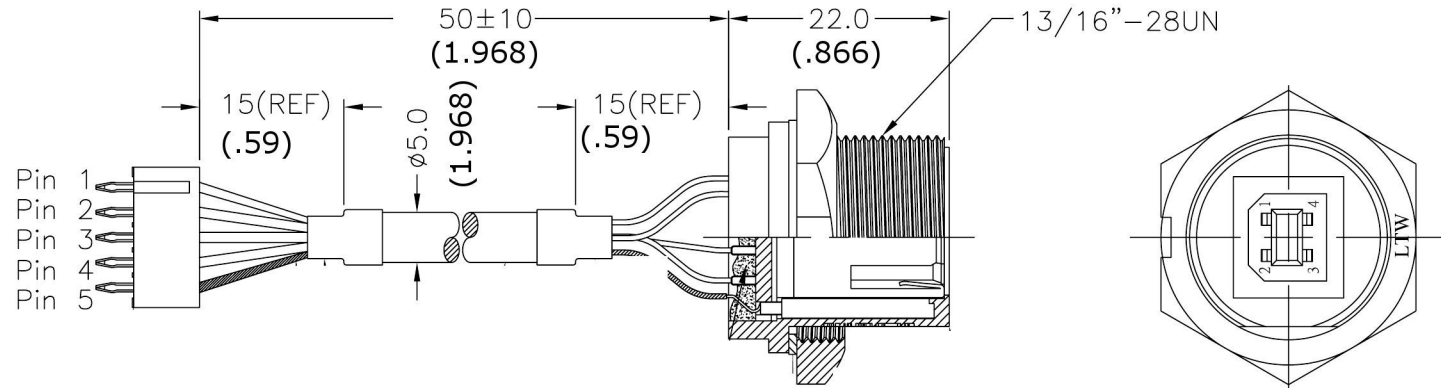
Recommended Panel Cut-Out



Pin Assignments Front View

| | | |
|---------|-------------|--------|
| 5 | Drain | Shield |
| 4 | Black 24AWG | 4 |
| 3 | Green 28AWG | 3 |
| 2 | White 28AWG | 2 |
| 1 | Red 24AWG | 1 |
| Housing | Wire Color | Conn. |
| Pin Out | | |

Twist



Conn.

Note:

- * Waterproof Rate: IP68
- * Shell: ABS 94V-0, Black
- * Connector: USB B Female Solder Type, Gold Plated
- * Gasket: EPDM, Black
- * Panel Nut: Nylon+GF, Black
- * Housing: 5Pin, PH=2.50mm
- * Terminal: Phosphor bronze, Tin-plated
- * Cable: USB2.0 28AWG*1P+24AWG*2C+AL/My+D+B, Black PVC Jacket Resist UV, OD=5.0
- * Use with waterproof cap or dust cap For Panel Thickness Max: 2.8mm
- * Use without waterproof cap or dust cap For Panel Thickness Max: 4.0mm

UNIT:mm (INCH)

TOLERANCE

±0.5 mm

VPI VIDEO PRODUCTS INCORPORATED

1275 Danner Drive Aurora, Ohio 44202
Tel: 330-562-2622 Fax: 330-562-1999
www.vpi.us