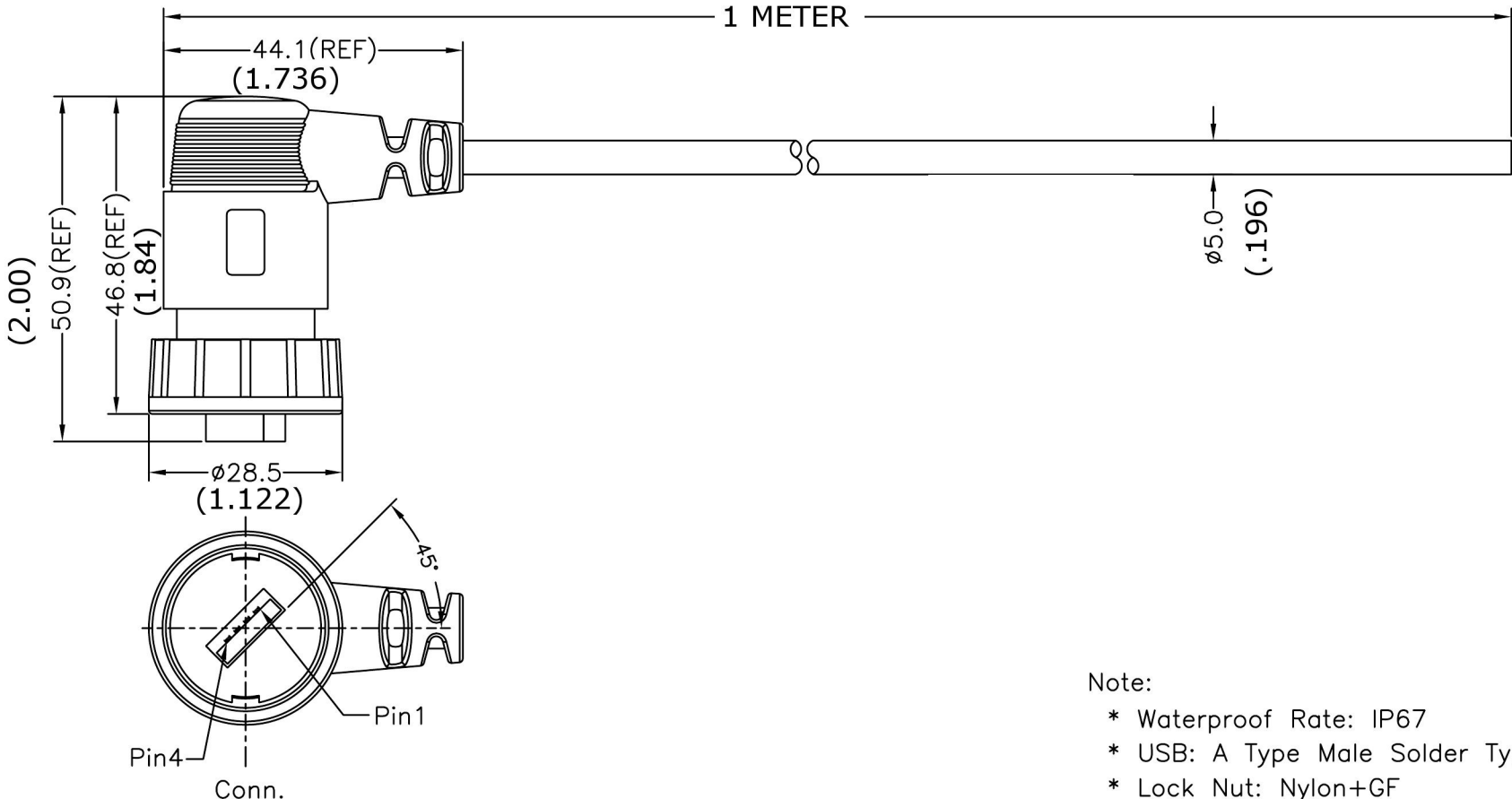


VPI P/N USB2-AM-WTP-RAQR-1M



- Note:
- \* Waterproof Rate: IP67
  - \* USB: A Type Male Solder Type
  - \* Lock Nut: Nylon+GF
  - \* Gasket: EPDM
  - \* Cable:USB2.0 28AWG\*1P+24AWG\*2C+AL/MY+D+B  
Black OD=5.0mm

Shield	Drain	
4	Black	(24AWG)
3	Green	(28AWG)
2	White	(28AWG)
1	Red	(24AWG)
Conn.	Wire Color	

Twist

UNIT : mm (INCH)
TOLERANCE
±0.5 mm

**VPI VIDEO PRODUCTS INCORPORATED**  
 1275 Danner Drive Aurora, Ohio 44202  
 Tel: 330-562-2622 Fax: 330-562-1999  
 www.vpi.us