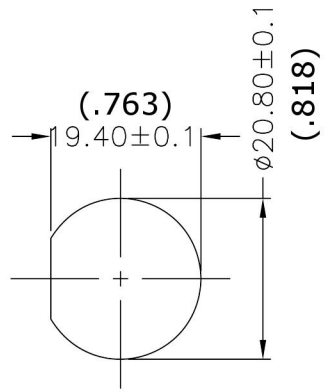
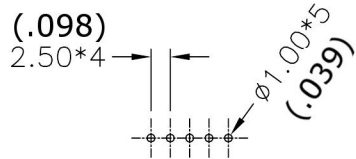


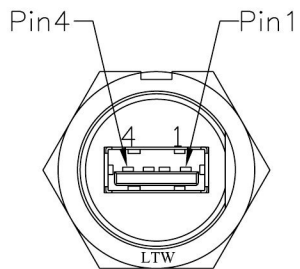
VPI P/N USB2-AF-WTP-CS-FL



Recommended Panel Cut-Out



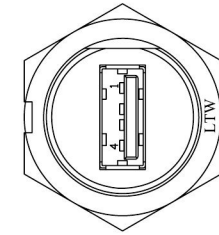
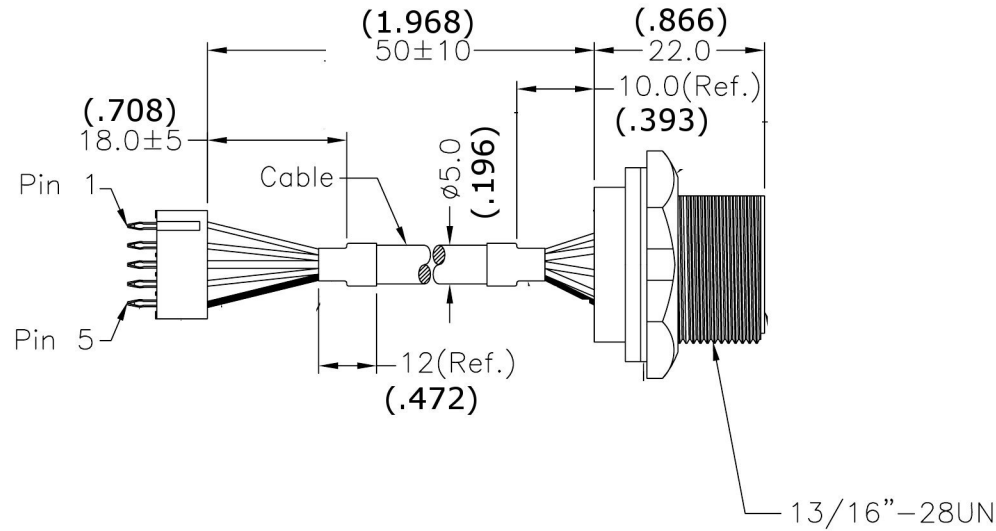
PCB Layout



Pin Assignments
Front View

5	Drain	Shield
4	Black 24AWG	4
3	Green 28AWG	3
2	White 28AWG	2
1	Red 24AWG	1
Housing	Wire Color	Conn.
Pin Out		

Twist



Conn.

Note:

- * Waterproof Rate: IP68
- * Shell: ABS 94V-0, Black
- * Connector: USB A Female, Gold Plated
- * Gasket: EPDM, Black
- * Panel Nut: Black, Nylon+GF
- * Housing: PH=2.50mm
- * Terminal: Phosphor bronze, Tin-plated
- * Cable: USB2.0 28AWG*1P+24AWG*2C+AL/My+D+B, Black PVC Jacket Resist UV, OD=5.0mm
- * Use with waterproof cap or dust cap
For Panel Thickness Max: 2.8mm
- * Use without waterproof cap or dust cap
For Panel Thickness Max: 4.0mm

UNIT: mm (INCH)

TOLERANCE	
.X	±0.25
.XX	±0.1
.XXX	±0.05
ANGLES	±1°



1275 Danner Drive Aurora, Ohio 44202
Tel: 330-562-2622 Fax: 330-562-1999
www.vpi.us