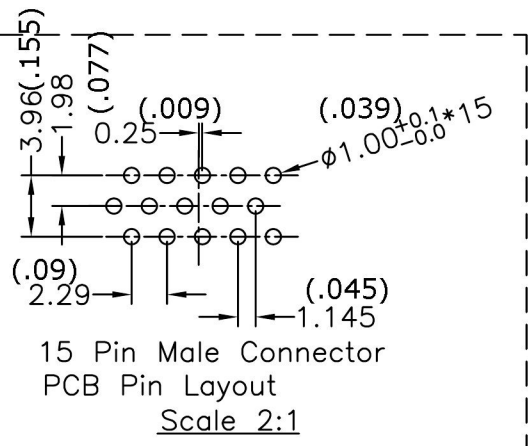
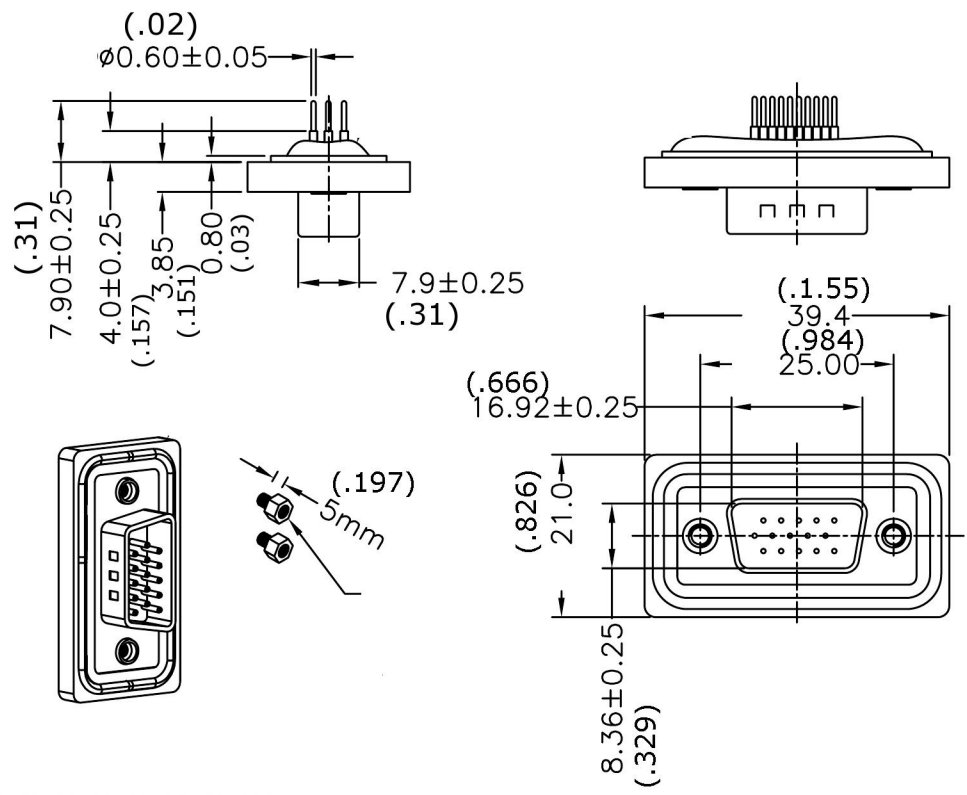
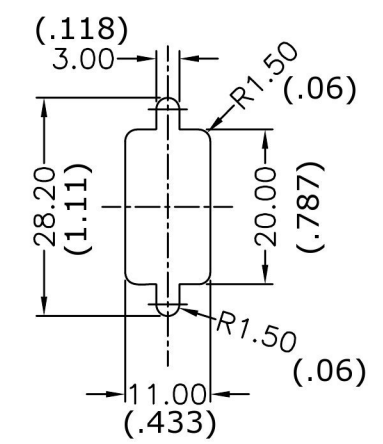


VPI P/N: 15HDM-WTP-CS-PCB



- Note:
- * Waterproof Rate : IP68
IP68:1M of depth of water 24 hours
 - * HD-SUB Conn. :Black Core,PBT
 - * Plastic Jacket : Black,Nylon+GF
 - * Pin : Copper Alloy , Gold Plated
 - * Ring : Light Blue,Silicone
 - * Screw : Copper Alloy,Nickel Plated,#4-40 UNC



UNIT:mm (Inch)

TOLERANCE	
.X	± 0.25
.XX	± 0.1
.XXX	± 0.05
ANGLES	$\pm 1^\circ$



1275 Danner Drive Aurora, Ohio 44202
 Tel: 330-562-2622 Fax: 330-562-1999
 www.vpi.us