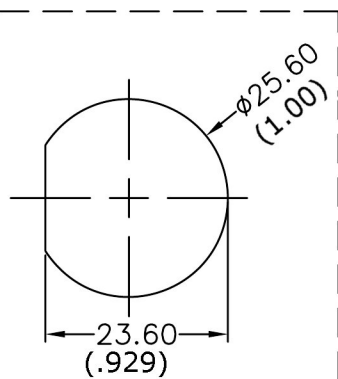
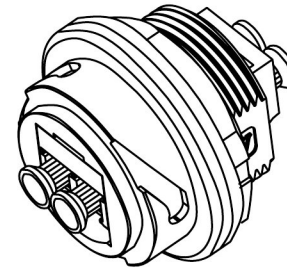
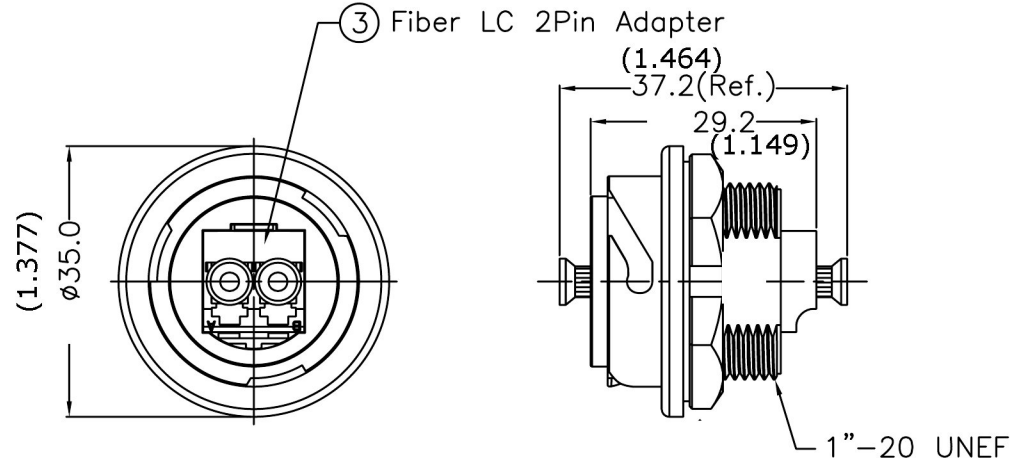
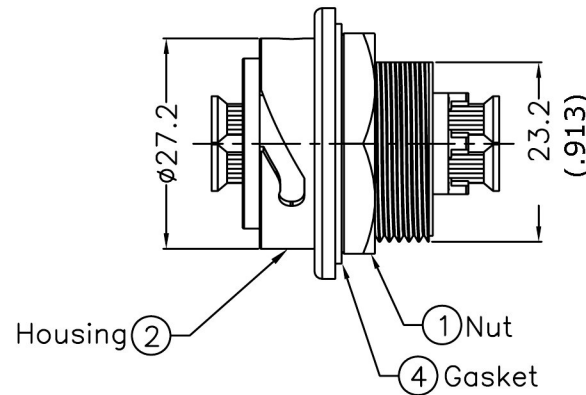


VPI P/N: FIBER-D-LC-WTP-CS



Recommended Panel Cut-Out



Note:

- * Waterproof Rate: IP67
- * Nut: Nylon+GF UL94V-0,,Black
- * Housing: PPO UL94V-0,Black
- * Fibre Adapter: LC 2P Adapter
- * Gasket: Silicone UL94V-0,Gray
- * For Panel Thickness Max 4.0mm
- * Recommend Force : 8~10kg-cm

UNIT:mm (Inch)

TOLERANCE	
.X	±0.25
.XX	±0.1
.XXX	±0.05
ANGLES	±1°



1275 Danner Drive Aurora, Ohio 44202
Tel: 330-562-2622 Fax: 330-562-1999
www.vpi.us