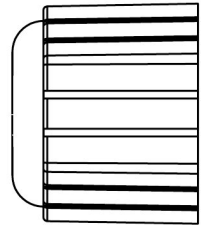


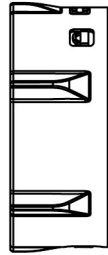
# VPI P/N: FIBER-D-LC-WTP-CB



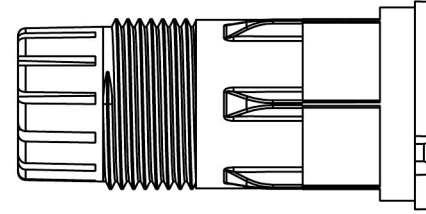
③ Seals Nut



④ Seals



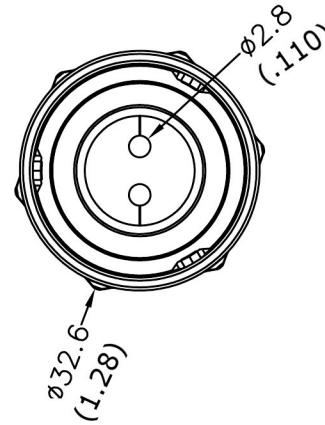
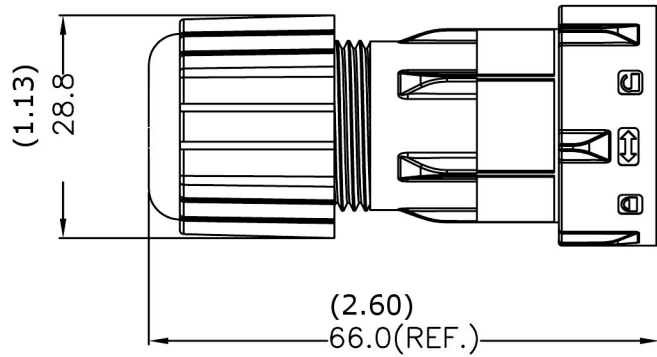
② Bayonet Nut



① Clamp Ring



⑤ Gasket



Note:

- \* Waterproof Rating: IP67
- \* Cable OD:  $\phi 2.5 \sim \phi 2.8$ mm Max.
- \* Clamp Ring: PPO,UL94V-0,Black.
- \* Bayonet Nut: PPO,UL94V-0,Black.
- \* Sealing Nut: Nylon+GF,UL94V-0,Black.
- \* Seals: Silicone,UL94V-0,Gray.
- \* Gasket: Silicone,UL94V-0,Gray.

UNIT:mm (Inch)

TOLERANCE	
.X	$\pm 0.25$
.XX	$\pm 0.1$
.XXX	$\pm 0.05$
ANGLES	$\pm 1'$

**VPI** VIDEO  
PRODUCTS  
INCORPORATED

1275 Danner Drive Aurora, Ohio 44202  
Tel: 330-562-2622 Fax: 330-562-1999  
www.vpi.us