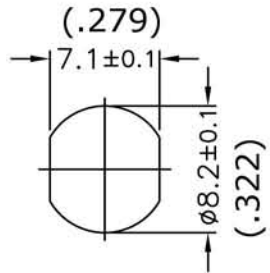


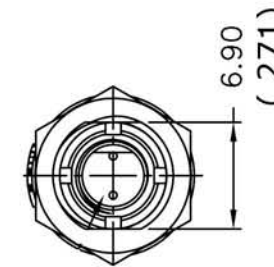
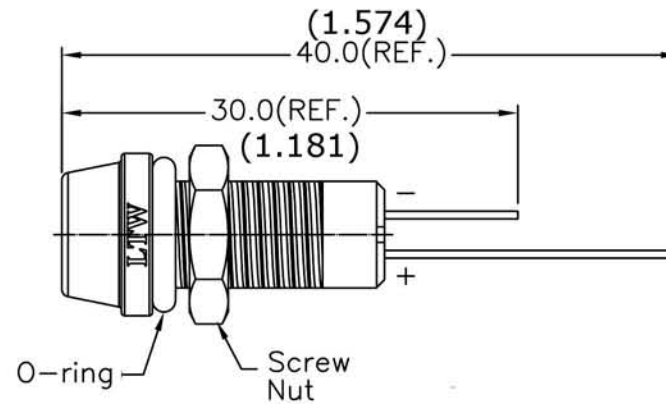
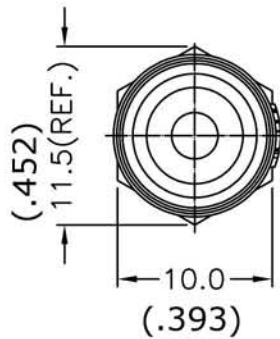
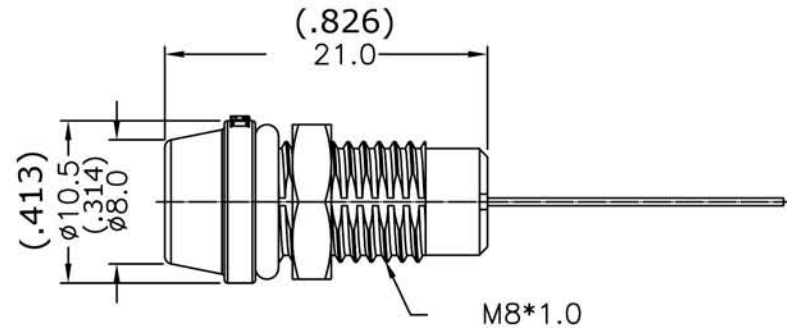
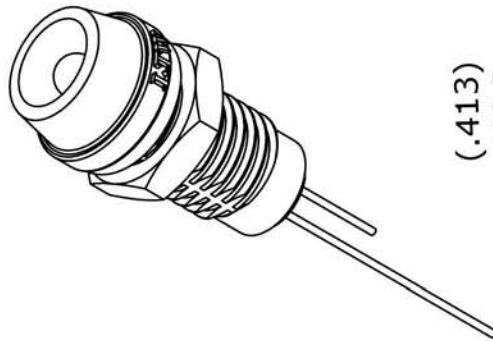
VPI P/N LED-WTP-RED  
 LED-WTP-BLUE  
 LED-WTP-GREEN  
 LED-WTP-WHITE  
 LED-WTP-YELLOW

Recommended Panel Cut-Out



Notes:

- \* Waterproof Rate: IP67
- \* LED Holder:PC+ABS,Black
- \* LED:  $\phi 3$  mm
- \* O-ring:EPDM,Black
- \* Screw Nut:Nylon+GF
- \* Operating Voltage: DC 4V
- \* Operating Temperature:-40~+80°C
- \* For Panel Thickness 6.5mm Max.
- \* Peak forward current - 100mA



UNIT: mm (in.)

TOLERANCE	
.X	±0.25
.XX	±0.1
.XXX	±0.05
ANGLES	±1°