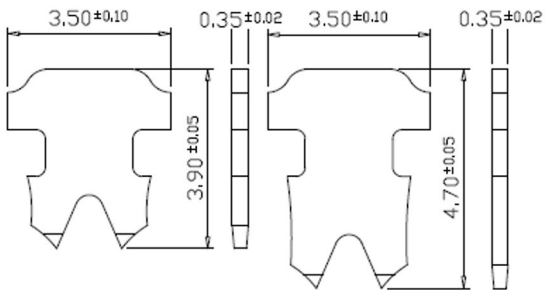
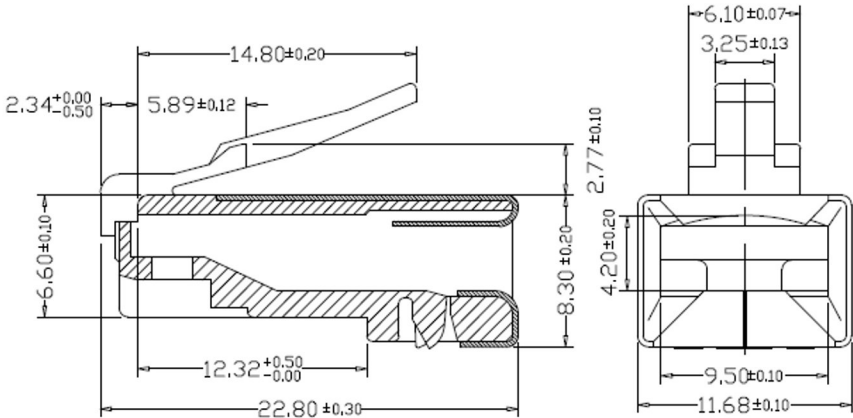
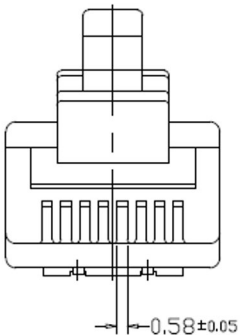
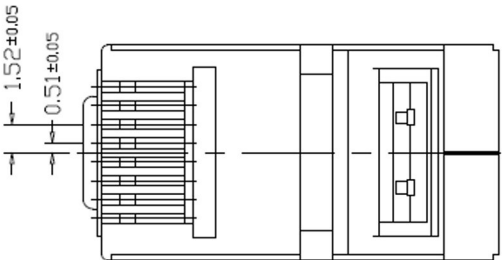


VPI P/N: 6-PLG-STRANDED-SH



2 PRONGS FOR STRANDED WIRE

UNIT: m/m



1275 Danner Drive Aurora, Ohio 44202
Tel: 330-562-2622 Fax: 330-562-1999
www.vpi.us