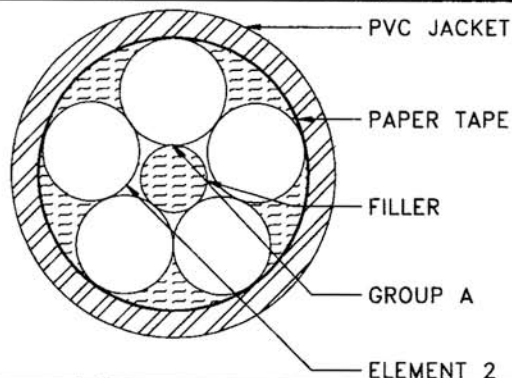


12 CONDUCTOR OVERALL JACKETED COMPOSITE CABLE



1.0 GROUP A:

ELEMENT 1:

24 AWG (7/32) Tinned Copper
Polyethylene, .054" ± .002" Diameter

Twisted Pairs:

Number of Pairs: 4

Color Code: 1. Red & Black
2. Yellow & Blue
3. Green & Violet
4. Orange & Brown

Pre-Cable:

Element 1: 4 Pairs
24 AWG (7/32) Tinned Copper drain wire,
under tape
Aluminum (In)/Polyester Tape, 25% Pverlap

2.0 ELEMENT 2:

Coaxes:

22 AWG (7/30) Bare Copper
Foamed Polyethylene, .137" ± .004" Diameter
Color: Tinted Pink

Shield:

Aluminum/Polyester/Aluminum Tape, 25% Overlap
36 AWG Tinned Copper, 80% Minimum Coverage

Jacket:

Polyvinyl Chloride, .015" Wall Thickness
.195" ± .005" Final Diameter

Number of Coaxes: 4

Color Code: 1. White
2. Wht/Blu
3. Wht/Grn
4. Wht/Red

3.0 OVERALL CABLING:

Group A: 1 Pre-Cable
Element 2: 4 Coaxes
Filler: As Required for Roundness
Paper Tape, 25% Overlap

4.0 JACKET:

Polyvinyl Chloride, .052" Wall Thickness
.635" ± .015" Final Diameter
Color: Black

Print Legend: E41663 RU AWM 20276 80°C 30V,
CEXT, Network Technologies Inc, 800-RGB-TECH

5.0 FINISHED PRODUCT REQUIREMENTS:

UL AWM: 20276 80°C 30V

6.0 ELECTRICAL CHARACTERISTICS:

Element 2:

Coax Impedance: 75 Ohms

VPI VIDEO
PRODUCTS
INCORPORATED

1275 Danner Drive Aurora, Ohio 44202
Tel: 1-800-626-7801 Fax: 330-562-1999
www.vpi.us sales@vpi.us