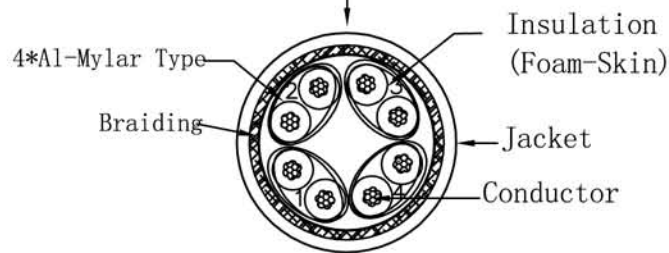


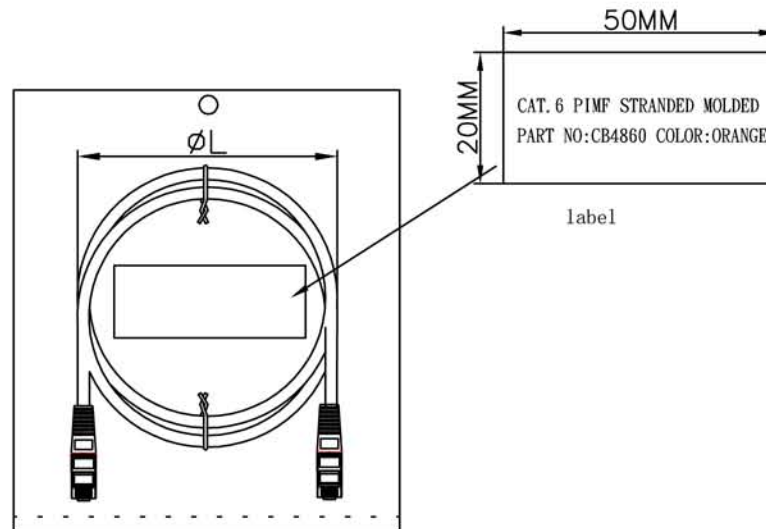
Marking: Video Products Inc CAT.6 26AWGX4PR SSTP IEC 60332.1 PATCH CABLE - CONFORM TO ISO/IEC 11801 & EN 50288 & TIA/EIA-568-B.2-1 3P/ETL VERIFIED CM(UL) C(UL) CMH E164469-F3 www.vpi.us



orange 1 white/orange	green 2 white/green
blue 3 white/blue	brown 4 white/brown

Conductor	Bare Copper 26AWG 7/0.152±0.005mm
Insulation	Thickness: MIN at any point: 0.2mm MAX AVG: 0.35mm Diameter: 1.05±0.05mm
Jacket	PVC Thickness: MIN at any point: 0.50mm MAX AVG: 0.60mm Diameter: 6.1±0.2mm

WIRE	CAT.6 SSTP STR 26AWG *4P
PLUG	YUS-04 8P8C 50u"
Length	xxFT
WIRE COLOR	XX



PA/R	PINOUT		
	P1 (T568B)	WIRE	P2 (T568B)
1	1	WHT/ORG	1
	2	ORG	2
2	3	WHT/GRN	3
	6	GRN	6
3	4	BLU	4
	5	WHT/BLU	5
4	7	WHT/BRN	7
	8	BRN	8



1275 Danner Drive Aurora, Ohio 44202
 Tel: 1-800-626-7801 Fax: 330-562-1999
 www.vpi.us sales@vpi.us