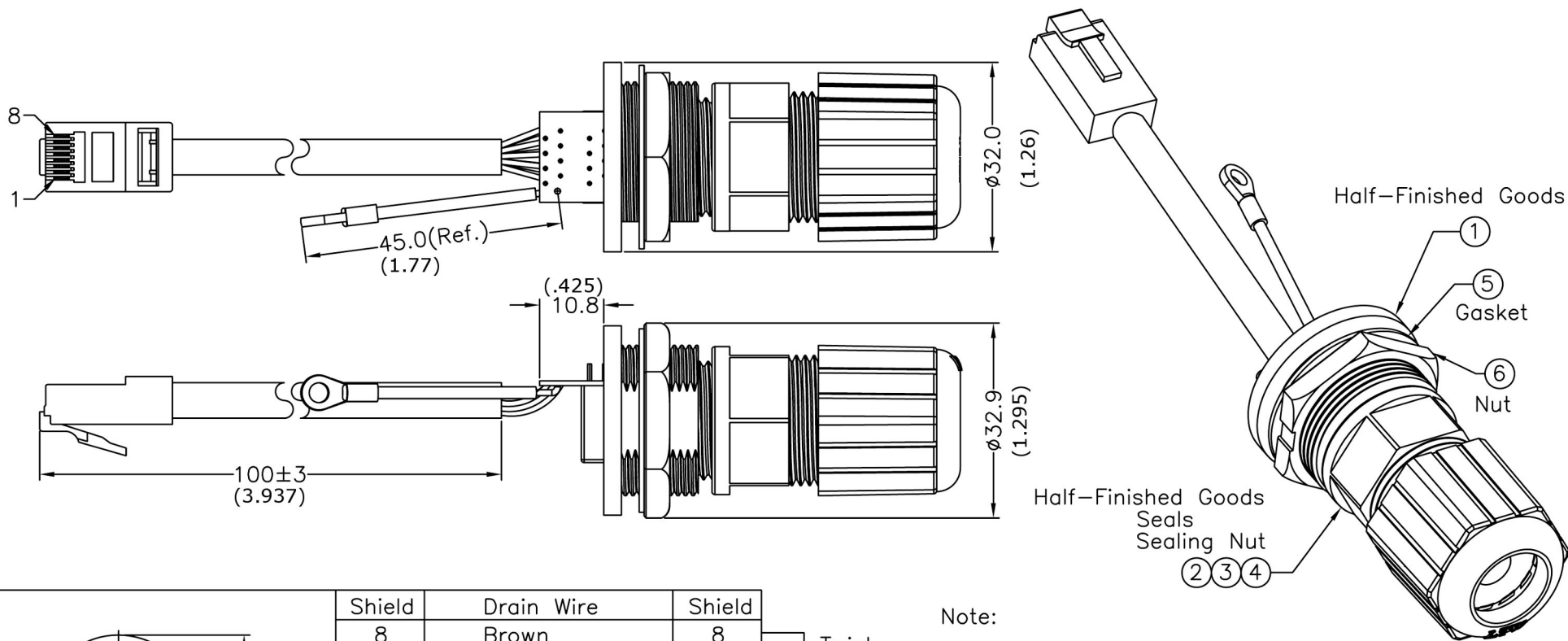


VPI P/N: CAT5E-WTP-CSCB4I-SHLDG



Shield	Drain Wire	Shield	
8	Brown	8	Twist
7	White/Brown	7	
6	Green	6	Twist
5	White/Blue	5	
4	Blue	4	Twist
3	White/Green	3	
2	Orange	2	Twist
1	White/Orange	1	
PCB	Wire Color	Plug	
Pin Out			

Note:

- * Waterproof Rate : IP67
- * Sealing Nut: Nylon,Black
- * Seals: EPDM,Black
- * Half-Finished Goods:Nylon(Black)&Silicone(Gray_Black)
- * Housing:Nylon+GF,Black
- * Gasket: EPDM,Black
- * Panel Nut: Nylon+GF,Black
- * For Panel Thickness Max 4.5mm

UNIT:mm (Inch)